

**FAX UNIT (A639)**

**ISDN UNIT (A644)**

**PRINTER CONTROL UNIT(A643)**

## PARTS CATALOG

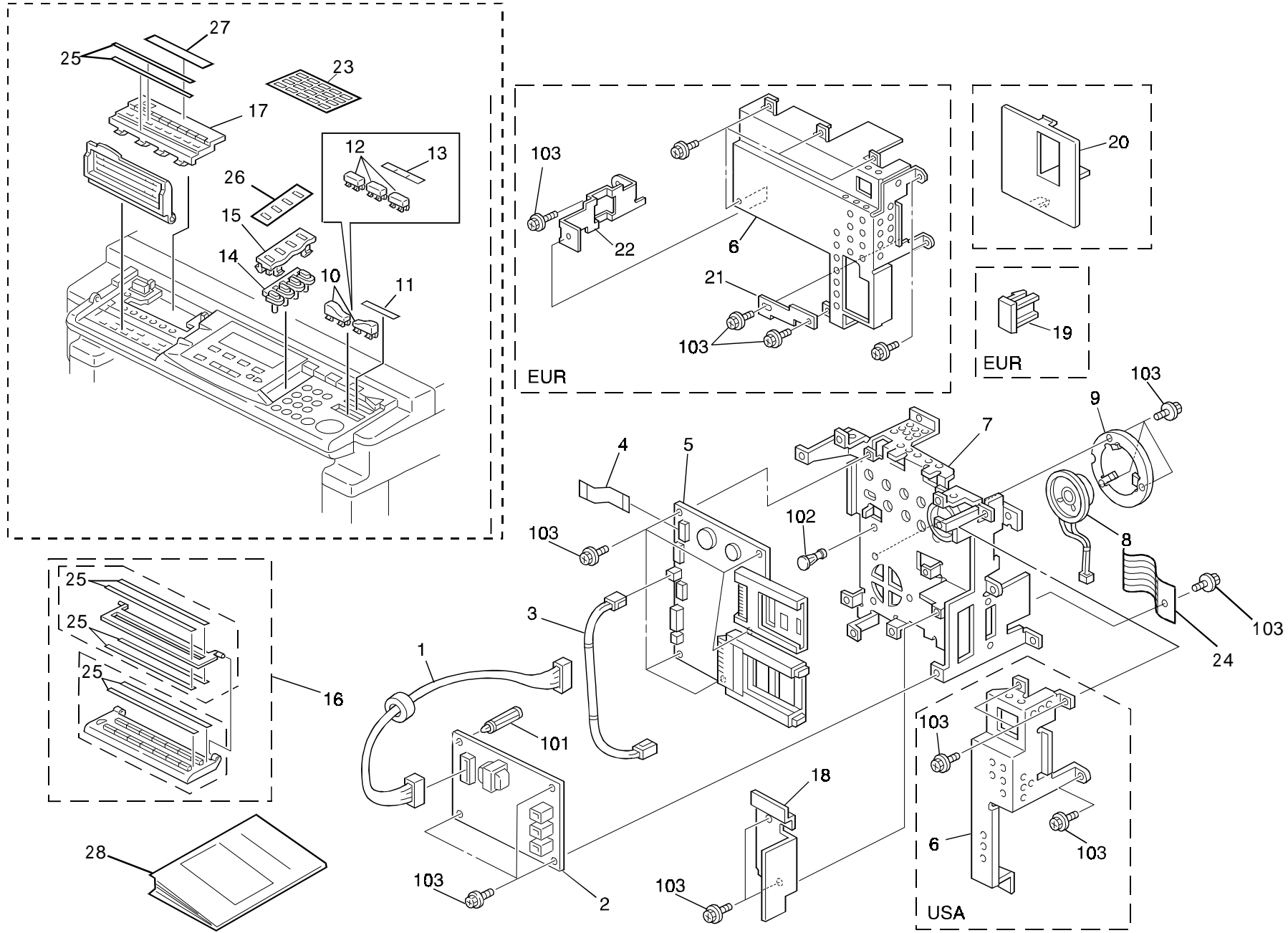
### INTRODUCTION

This chapter instructs you the numbers and names of parts on this machine.

### INDEX to PARTS CATALOG

1.Fax Unit type 200 (A639) .....	2
2.NCU Board USA (A639) .....	4
3.NCU Board Europe (A639) .....	6
4.NCU Board France (A639).....	8
5.FCU Board USA (A639).....	10
6.FCU Board Europe/France (A639) .....	14
8.Handset (A639).....	18
9.ISDN Unit Type 200 (A644) .....	20
10.Fax Hard Disk Type 200 (A641) .....	22
11.Printer Control Unit/HDD Unit(A643) .....	24
<b>Parts Index.....</b>	<b>25</b>

# 1. Fax Unit type 200 (A639)



# 1. Fax Unit type 200 (A639)

Index No.	Part No.	Description	Q'ty Per Assembly
1	A194 5280	Harness - FCU-NCU1	1
2	5488 6030	PCB - NCU - US (HU-1T)	1
2	5488 6050	PCB - NCU - EUR (HE-1T)	1
2	5488 6070	PCB - NCU - France (HF-1T)	1
3	A194 5282	Harness - PSU-FCU	1
4	A194 5281	Harness - BICU-FCU	1
5	A639 5001	PCB - FCU - US	1
5	A639 5002	PCB - FCU - EUR	1
5	A639 5003	PCB - FCU - France	1
5	A194 5004	PCB - FCU - TWN	1
6	A194 5815	Bracket - Cover - Rear - Left (US)	1
6	A194 5819	Shielding Cover (EUR/ASIA)	1
7	A194 5811	Bracket - Fax	1
8	A102 5461	Speaker - S05J01A	1
9	A038 5851	Monitor Speaker Bracket	1
10	A194 1496	Keytop - Copy/Fax	1
11	A639 1493	Decal - Copy/Fax	1
12	A196 1496	Keytop - Copy/Fax/Prn	1
13	A693 1500	Decal - Copy/Fax/Prn	1
14	A194 1495	Fax Keys - Right	1
15	A639 1497	Cover - Fax Keys - Right (US)	1
15	A639 1487	Cover - Fax Keys - Right - EUR/ASIA	1
16	A639 0051	Key Switch Ass'y - 2 - Fax	1
17	A639 0157	Key SW Ass'y - 1-Fax : EUR	1
17	A639 0156	Key SW Aass'y - 1-Fax US/ASIA	1
18	A194 5816	Guard - NCU	1
19	H504 4901	Cap - Telephone Socket (EUR)	1
20	A639 1351	Cover - NCU	1
21	A194 5818	Grounding PlaTe : FAX	1
22	A194 5823	Grounding PlaTe : FAX : BICU	1
23	A639 1427	Decal - Function (US/ASIA)	1
24	A194 5824	Ground Plate (EUR)	1
25	A194 1494	Decal - Quick Dial Labels (US/ASIA)	1
26	A639 1427	Decal : Function (ASIA)	1
27	A639 1492	Decal - Upper Cover - FAX	1

Index No.	Part No.	Description	Q'ty Per Assembly
28	A639 8608	Operating Instructions (ASIA)	1
28	A639 8607	Operating Instructions (US)	1
28	A639 8697	Operating Instructions (NRG)	1
28	A639 8650	Operating Instructions (SVN)	1
28	A639 8637	Operating Instructions (LANIER US)	1
101	1105 0461	Tapping Support - KGTS-18T	
102	1105 0240	Spacer	
103	0451 3006B	Tapping Screw - M3x6	

## 2. NCU Board USA/Taiwan (A639)

### BR

SYMBOL NO.	INDEX NO.
BR1	113

### CAPACITOR

SYMBOL NO.	INDEX NO.
C2	117
C6	116
C7	126
C8	125

### CONNECTOR

SYMBOL NO.	INDEX NO.
CN1	102
CN2	102
CN3	101

### DIODE

SYMBOL NO.	INDEX NO.
D1	104
D3	104
D4	104

### L

SYMBOL NO.	INDEX NO.
L1	118

### PC

SYMBOL NO.	INDEX NO.
PC1	108
PC2	107
PC3	106

### Q

SYMBOL NO.	INDEX NO.
Q2	103
Q5	103
Q6	103

### RESISTOR

SYMBOL NO.	INDEX NO.
R1	114
R2	114
R3	121
R4	120
R5	122
R6	119
R8	115
R14	123
R15	124

### RY

SYMBOL NO.	INDEX NO.
RY1	1

### T

SYMBOL NO.	INDEX NO.
T2	2

### ZD

SYMBOL NO.	INDEX NO.
ZD3	105
ZD4	105

### ZNR

SYMBOL NO.	INDEX NO.
ZNR1	116
ZNR2	111
ZNR3	111
ZNR4	112
ZNR5	109

## 2. NCU Board USA/Taiwan (A639)

Index No.	Part No.	Description	Q'ty Per Assembly
*	5488 6030	PCB - NCU - US (HU-1T)	1
1	H502 5012	Relay - M12612-240SR	1
2	H521 7147	Transformer : H5217147	1

Index No.	Part No.	Description	Q'ty Per Assembly
101	1102 4212	CT Header - 15P	
102	1102 6415	Modular Cord - 6-6P	
103	1400 0655	Transformer : DTC143XSA	
104	1401 0821	Diode - 1SS133	
105	1402 1224	Diode - MTZJ5.1A	
106	1403 0503	Photo Coupler - PC817	
107	1403 0512	IC - PC827	
108	1403 0800	Photocoupler - PS2533-1-V	
109	1404 0129	Varystor - VR - 63B	
110	1404 0276	Varystor - TNR9G331K	
111	1404 0283	Varystor - TNR9G341K	
112	1404 0338	Varystor - TNR9G330K	
113	1405 0130	Silicon Rectifier Stack - 1G4B42	
114	1600 1334	Resistor - 2W 220 $\Omega$ $\pm$ 5%	
115	1600 1550	Resistor - 82 $\Omega$ $\pm$ 5% 1W	
116	1606 1336	Capacitor - 1000PF -20% +80% 50V	
117	1606 1860	Capacitor - 0.47 $\mu$ F 250V	
118	1607 0755	Choke Coil : CM 08RB01	
119	1611 4330	Resistor - 330 $\Omega$ 1/4T $\pm$ 5%	
120	1611 4392	Resistor - 3.9K $\Omega$ 1/4T $\pm$ 5%	
121	1611 4473	Resistor - 47K $\Omega$ 1/4T $\pm$ 5%	
122	1611 4820	Resistor - 82 $\Omega$ 1/4T $\pm$ 5%	
123	1611 9182	Resistor - 1.8K $\Omega$ $\pm$ 5% 1/2W	
124	1611 9330	Resistor - 33 $\Omega$ $\pm$ 5% 1/2W	
125	1640 3101	Capacitor - 100 $\mu$ F $\pm$ 20% 35V	
126	1643 5100	Capacitor - 10 $\mu$ F $\pm$ 20% 50V	

### 3. NCU Board Europe (A639)

#### BR

SYMBOL NO.	INDEX NO.
BR1	119
BR2	119
BR2	119
BR4	120

#### CAPACITOR

SYMBOL NO.	INDEX NO.
C1	125
C2	128
C3	147
C5	129
C6	148
C7	127
C8	124
C9	146
C10	126
C11	150

SYMBOL NO.	INDEX NO.
C12	150
C13	150
C14	149

#### CONNECTOR

SYMBOL NO.	INDEX NO.
CN1	103
CN2	102
CN3	105
CN4	105
CN5	104
CN7	104

#### DIODE

SYMBOL NO.	INDEX NO.
D1	112
D2	112
D3	112

#### JP

SYMBOL NO.	INDEX NO.
JP24	130
JP25	143

#### PC

SYMBOL NO.	INDEX NO.
PC1	115
PC2	116
PC3	116
PC4	116
PC5	116
PC6	116

#### L

SYMBOL NO.	INDEX NO.
L1	132
L2	131

#### HIC

SYMBOL NO.	INDEX NO.
HIC1	1

#### Q

SYMBOL NO.	INDEX NO.
Q2	109
Q3	110
Q4	108
Q5	108
Q6	108
Q7	108

#### RESISTOR

SYMBOL NO.	INDEX NO.
R1	134
R3	122
R4	121
R5	123
R6	136
R8	144
R10	145
R11	140
R13	140
R14	141

SYMBOL NO.	INDEX NO.
R15	135
R16	141
R17	140
R18	140
R19	141
R20	138
R21	138
R22	141
R24	133
R25	142

SYMBOL NO.	INDEX NO.
R26	137
R27	137
R30	139
R31	139
R32	139

#### RY

SYMBOL NO.	INDEX NO.
RY1	106
RY2	107

#### ZD

SYMBOL NO.	INDEX NO.
ZD1	111
ZD2	113
ZD3	113
ZD5	114
ZD6	114

#### ZNR

SYMBOL NO.	INDEX NO.
ZNR1	118
ZNR2	117
ZNR3	117
ZNR5	117

#### T

SYMBOL NO.	INDEX NO.
T2	2

### 3. NCU Board Europe (A639)



Index No.	Part No.	Description	Q'ty Per Assembly
*	5488 6050	PCB - NCU - EUR (HE-1T)	1
1	H504 7146	HIC - 220/240V	1
2	H504 7601	Transfenier	1

Index No.	Part No.	Description	Q'ty Per Assembly
101	1102 3127	Receptacle - 2P	
102	1102 4204	CT Header - 5P	
103	1102 4212	CT Header - 15P	
104	1102 5532	Header - 2P	
105	1102 6415	Modular Cord - 6-6P	
106	1208 1364	Relay - JZ1AF-24V	
107	1208 1400	Relay - BA-24WD-K	
108	1400 0398	Transistor - 2SC2412K	
109	1400 0576	Transistor - 2SC3621	
110	1400 0577	Transistor - 2SA1320	
111	1402 0605	Diode - HZ3BLL	
112	1402 1251	Diode - DA118	
113	1402 1333	Diode - VDZ5.1B	
114	1402 1334	Diode - VDZ2.0B	
115	1403 0791	Photocoupler - PS2561-1-V	
116	1403 0800	Photocoupler - PS2533-1-V	
117	1404 0283	Varystor - TNR9G341K	
118	1404 0342	Varystor - TNR9G121K	
119	1405 0130	Silicon Rectifier Stack - 1G4B42	
120	1405 0180	Rectifier - OR5G4B42	
121	1600 0679	Resistor - 32 $\Omega$ 1W $\pm$ 5%	
122	1600 1153	Resistor - 2W 120 $\Omega$	
123	1600 1686	Resistor - 47 $\Omega$ $\pm$ 5% 1W	
124	1604 4301	Capacitor - 220 $\mu$ F $\pm$ 20%	
125	1606 1763	Capacitor - 0.47 $\mu$ F 400V	
126	1606 1815	Capacitor - 0.68 $\mu$ F $\pm$ 5%	
127	1606 1877	Capacitor - 0.027 $\mu$ F $\pm$ 10%	
128	1606 1925	Capacitor - 1 $\mu$ F $\pm$ 10%	
129	1606 2026	Capacitor - 0.1 $\mu$ F $\pm$ 10%	
130	1607 0536	Fuse Core - EXCELDR35C	
131	1607 0593	Coil - 33MH	
132	1607 0760	Coil - TLF9UB302W	
133	1610 1276	Resistor - 10K $\Omega$ $\pm$ 5% 1/2W	
134	1611 4473	Resistor - 47K $\Omega$ 1/4T $\pm$ 5%	



Index No.	Part No.	Description	Q'ty Per Assembly
135	1630 3100	Resistor - 10 $\Omega$ $\pm$ 5% 1/10W	
136	1630 3103	Resistor - 10K $\Omega$ 1/10W $\pm$ 5%	
137	1630 3153	Resistor - 5K $\Omega$ $\pm$ 5% 1/10W	
138	1630 3471	Resistor - 470 $\Omega$ 1/10W	
139	1630 3472	Resistor - 4.7K $\Omega$ 1/10W $\pm$ 5%	
140	1630 3473	Resistor - 47K $\Omega$ 1/10W $\pm$ 5%	
141	1630 3562	Resistor - 5.6K $\Omega$ $\pm$ 5% 1/10W	
142	1630 3822	Resistor - 8.2K $\Omega$ 1/10W $\pm$ 5%	
143	1633 0000	Resistor - 0 $\Omega$ 1/10W - Jumper Chip	
144	1633 1002	Resistor - 10K $\Omega$ $\pm$ 1% 1/10W	
145	1633 2002	Resistor - 20K $\Omega$ $\pm$ 1% 1/10W	
146	1640 3101	Capacitor - 100 $\mu$ F $\pm$ 20% 35V	
147	1643 5100	Capacitor - 10 $\mu$ F $\pm$ 20% 50V	
148	1643 5339	Capacitor - 3.3 $\mu$ F $\pm$ 20% 50V	
149	1660 5102	Capacitor - 1000PF $\pm$ 10% 50V	
150	1660 7103	Capacitor - 10000PF 50V	

Index No.	Part No.	Description	Q'ty Per Assembly

## 4. NCU Board France (A639)

### BR

SYMBOL NO.	INDEX NO.
BR4	118

### CAPACITOR

SYMBOL NO.	INDEX NO.
C2	124
C3	138
C6	140
C8	123
C9	139
C14	141

### CONNECTOR

SYMBOL NO.	INDEX NO.
CN1	102
CN2	101
CN3	103
CN4	103

### DIODE

SYMBOL NO.	INDEX NO.
D1	110
D2	110

### FUSE

SYMBOL NO.	INDEX NO.
F1	104

### L

SYMBOL NO.	INDEX NO.
L1	126

### Q

SYMBOL NO.	INDEX NO.
Q1	106
Q2	108
Q3	109
Q4	107
Q5	107
Q6	107

### PC

SYMBOL NO.	INDEX NO.
PC1	113
PC5	114
PC6	114
PC7	113
PC8	113

### RESISTOR

SYMBOL NO.	INDEX NO.
R2	120
R3	122
R4	121
R5	119
R6	127
R7	129
R8	136
R9	127
R10	137
R12	130

SYMBOL NO.	INDEX NO.
R13	132
R14	133
R16	133
R17	132
R18	132
R19	133
R20	128
R21	131
R25	134
R26	135

### RY

SYMBOL NO.	INDEX NO.
RY2	105

### ZD

SYMBOL NO.	INDEX NO.
ZD2	111
ZD3	111
ZD5	112
ZD6	112

### ZNR

SYMBOL NO.	INDEX NO.
ZNR1	117
ZNR4	116

#### 4. NCU Board France (A639)

Index No.	Part No.	Description	Q'ty Per Assembly
*	5488 6070	PCB - NCU - France (HF-1T)	1
1	H504 7601	Transfenier	1

Index No.	Part No.	Description	Q'ty Per Assembly
101	1102 4204	CT Header - 5P	
102	1102 4212	CT Header - 15P	
103	1102 6415	Modular Cord - 6-6P	
104	1107 0605	Fuse - 250V 1A	
105	1208 1400	Relay - BA-24WD-K	
106	1400 0358	Transistor - 2SA950-0	
107	1400 0398	Transistor - 2SC2412K	
108	1400 0576	Transistor - 2SC3621	
109	1400 0577	Transistor - 2SA1320	
110	1402 1251	Diode - DA118	
111	1402 1333	Diode - VDZ5.1B	
112	1402 1334	Diode - VDZ2.0B	
113	1403 0791	Photocoupler - PS2561-1-V	
114	1403 0800	Photocoupler - PS2533-1-V	
115	1404 0283	Varystor - TNR9G341K	
116	1404 0310	Varystor - VR-62B	
117	1404 0342	Varystor - TNR9G121K	
118	1405 0180	Rectifier - OR5G4B42	
119	1600 1686	Resistor - 47 $\Omega$ $\pm$ 5% 1W	
120	1600 1727	Resistor - 82K $\Omega$ $\pm$ 5% 2W	
121	1601 5241	Resistor - 180 $\Omega$ 1W	
122	1601 5255	Resistor - 360 $\Omega$ 2W $\pm$ 5%	
123	1604 4301	Capacitor - 220 $\mu$ F $\pm$ 20%	
124	1606 1925	Capacitor - 1 $\mu$ F $\pm$ 10%	
125	1607 0536	Fuse Core - EXCELDR35C	
126	1607 0760	Coil - TLF9UB302W	
127	1630 3103	Resistor - 10K $\Omega$ 1/10W $\pm$ 5%	
128	1630 3302	Resistor - 3K $\Omega$ 1/10W	
129	1630 3330	Resistor - 33 $\Omega$ $\pm$ 5% 1/10W	
130	1630 3391	Resistor - 390 $\Omega$ 1/10W $\pm$ 5%	
131	1630 3471	Resistor - 470 $\Omega$ 1/10W	
132	1630 3473	Resistor - 47K $\Omega$ 1/10W $\pm$ 5%	
133	1630 3562	Resistor - 5.6K $\Omega$ $\pm$ 5% 1/10W	
134	1630 3822	Resistor - 8.2K $\Omega$ 1/10W $\pm$ 5%	

Index No.	Part No.	Description	Q'ty Per Assembly
135	1633 0000	Resistor - 0 $\Omega$ 1/10W - Jamper Chip	
136	1633 1002	Resistor - 10K $\Omega$ $\pm$ 1% 1/10W	
137	1633 2702	Resistor - 27K $\Omega$ $\pm$ 1% 1/10W	
138	1643 5100	Capacitor - 10 $\mu$ F $\pm$ 20% 50V	
139	1643 5229	Capacitor - 2.2 $\mu$ F $\pm$ 20% 50V	
140	1643 5339	Capacitor - 3.3 $\mu$ F $\pm$ 20% 50V	
141	1660 5102	Capacitor - 1000PF $\pm$ 10% 50V	
142	1660 7103	Capacitor - 10000PF 50V	

Index No.	Part No.	Description	Q'ty Per Assembly

## 5. FCU Board USA (A639)

### AR

SYMBOL NO.	INDEX NO.
AR1	144
AR2	144
AR3	144
AR4	144
AR5	144
AR6	143
AR7	144
AR8	144
AR9	144
AR10	144

SYMBOL NO.	INDEX NO.
AR11	144
AR12	144
AR13	144
AR15	143
AR16	143
AR17	144
AR18	144
AR19	144
AR20	144
AR21	144

SYMBOL NO.	INDEX NO.
AR22	142
AR27	144
AR28	144
AR29	144
AR30	144
AR31	142
AR32	142
AR33	142
AR34	142
AR35	142

SYMBOL NO.	INDEX NO.
AR36	142
AR37	144
AR38	143
AR39	143
AR40	144
AR41	144
AR42	144
AR43	144
AR44	144
AR45	141

### BAT

SYMBOL NO.	INDEX NO.
BAT1	115
BAT2	114

### CAPACITOR

SYMBOL NO.	INDEX NO.
C1	180
C2	145
C3	183
C4	179
C5	182
C6	181
C9	180
C11	188
C12	188
C13	188

SYMBOL NO.	INDEX NO.
C15	149
C16	190
C17	189
C18	189
C19	190
C20	189
C21	190
C22	189
C23	190
C24	190

### CAPACITOR

SYMBOL NO.	INDEX NO.
C25	190
C26	187
C27	190
C31	190
C32	190
C33	190
C34	189
C36	190
C37	190
C39	187

SYMBOL NO.	INDEX NO.
C40	147
C41	186
C42	147
C44	190
C45	147
C46	190
C47	190
C49	147
C51	190
C52	190

SYMBOL NO.	INDEX NO.
C53	190
C54	190
C56	190
C57	190
C58	190
C60	190
C61	184
C62	190
C63	184
C64	190

SYMBOL NO.	INDEX NO.
C65	188
C66	190
C67	190
C68	190
C69	190
C70	190
C71	190
C72	190
C73	185
C74	185

SYMBOL NO.	INDEX NO.
C76	190
C77	190
C78	147
C79	190
C80	190
C81	190
C82	190
C83	147
C84	190
C89	146

SYMBOL NO.	INDEX NO.
C90	187
C91	188
C92	188
C93	184
C94	184
C97	190
C98	187

### CONNECTOR

SYMBOL NO.	INDEX NO.
CN500	106
CN501	107
CN502	110
CN503	109
CN505	108
CN506	104
CN508	103
CN510	101
CN511	102
CN513	105

**DA**

SYMBOL NO.	INDEX NO.
DA1	121
DA2	124

**DIODE**

SYMBOL NO.	INDEX NO.
D1	125
D2	120
D3	126
D4	123
D5	123
D8	123
D9	122
D10	122
D11	122
D12	122

SYMBOL NO.	INDEX NO.
D13	122
D14	122
D15	123
D16	123
D17	123
D19	122
D20	123
D22	120
D23	123

**F**

SYMBOL NO.	INDEX NO.
F1	111

**FIL**

SYMBOL NO.	INDEX NO.
FIL1	2
FIL2	2
FIL3	2

**HIC**

SYMBOL NO.	INDEX NO.
HIC2	6
HIC3	7

**IC**

SYMBOL NO.	INDEX NO.
IC1	194
IC2	3
IC3	5
IC4	192
IC6	191
IC7	1
IC8	193
IC9	4
IC12	134
IC13	132

SYMBOL NO.	INDEX NO.
IC15	129
IC16	128
IC19	136
IC20	135
IC22	130
IC23	133
IC25	131

**JP**

SYMBOL NO.	INDEX NO.
JP3	175
JP4	175
JP5	175
JP11	175
JP17	175
JP19	175
JP22	175
JP25	175
JP26	175
JP29	175

SYMBOL NO.	INDEX NO.
JP31	175
JP35	175
JP36	175
JP37	175
JP39	175
JP40	175

**L**

SYMBOL NO.	INDEX NO.
L1	152
L4	151
L5	150

**Q**

SYMBOL NO.	INDEX NO.
Q1	119
Q2	117
Q3	117
Q4	117
Q5	116
Q6	116
Q8	118
Q9	116

**RESISTOR**

SYMBOL NO.	INDEX NO.
R1	162
R2	162
R3	162
R4	168
R5	168
R6	168
R8	178
R9	165
R10	154
R11	159

SYMBOL NO.	INDEX NO.
R12	176
R13	159
R17	154
R18	155
R19	153
R20	170
R21	170
R22	170
R24	170
R25	170

SYMBOL NO.	INDEX NO.
R26	170
R27	173
R28	170
R29	156
R30	170
R31	170
R32	170
R38	156
R39	156
R40	156

## 5. FCU Board USA (A639)

### RESISTOR

SYMBOL NO.	INDEX NO.	SYMBOL NO.	INDEX NO.	SYMBOL NO.	INDEX NO.	SYMBOL NO.	INDEX NO.	SYMBOL NO.	INDEX NO.	SYMBOL NO.	INDEX NO.	SYMBOL NO.	INDEX NO.
R41	156	R51	158	R62	156	R72	167	R102	158	R112	156	R127	158
R42	156	R52	158	R63	159	R73	158	R103	158	R113	156	R128	168
R43	156	R53	158	R64	170	R74	156	R104	158	R114	156	R129	168
R44	156	R54	158	R65	158	R75	159	R105	158	R115	158	R130	168
R45	156	R55	158	R66	158	R76	158	R106	158	R116	158	R131	168
R46	156	R56	158	R67	158	R77	158	R107	158	R117	158	R132	168
R47	156	R57	157	R68	158	R78	158	R108	158	R119	158	R133	168
R48	156	R58	156	R69	158	R79	158	R109	156	R120	158	R134	168
R49	156	R60	156	R70	158	R80	156	R110	158	R125	156	R135	168
R50	158	R61	156	R71	158	R101	158	R111	156	R126	159	R136	158

### RESISTOR

SYMBOL NO.	INDEX NO.	SYMBOL NO.	INDEX NO.	SYMBOL NO.	INDEX NO.	SYMBOL NO.	INDEX NO.	SYMBOL NO.	INDEX NO.	SYMBOL NO.	INDEX NO.	SYMBOL NO.	INDEX NO.
R137	158	R148	158	R159	168	R169	167	R179	159	R189	157	R203	159
R138	158	R149	158	R160	168	R170	167	R180	156	R190	163	R204	157
R139	158	R150	158	R161	168	R171	167	R181	158	R191	163	R205	170
R140	158	R151	158	R162	168	R172	167	R182	160	R192	159	R206	158
R142	158	R152	158	R163	168	R173	167	R183	164	R196	171	R212	158
R143	158	R153	158	R164	168	R174	157	R184	164	R198	174	R213	158
R144	158	R155	167	R165	168	R175	172	R185	164	R199	158	R214	158
R145	158	R156	167	R166	168	R176	160	R186	159	R200	166	R215	158
R146	158	R157	167	R167	168	R177	159	R187	159	R201	161	R216	158
R147	158	R158	167	R168	167	R178	159	R188	159	R202	159	R217	158

## 5. FCU Board USA (A639)

### RESISTOR

SYMBOL NO.	INDEX NO.
R221	175
R222	158
R223	177
R226	158
R229	167
R230	167
R231	167
R232	167
R233	167
R234	167

SYMBOL NO.	INDEX NO.
R235	167
R236	167
R237	168
R238	158
R239	167
R240	158
R241	169
R242	167
R243	156
R244	170

SYMBOL NO.	INDEX NO.
R245	169
R246	169
R247	156
R248	156
R249	169
R250	158
R251	156

### SW

SYMBOL NO.	INDEX NO.
SW1	112
SW2	113

### XTL

SYMBOL NO.	INDEX NO.
XTL1	137
XTL2	140
XTL3	138
XTL4	139

### ZD

SYMBOL NO.	INDEX NO.
ZD1	127



## 5. FCU Board USA (A639)

Index No.	Part No.	Description	Q'ty Per Assembly
*	A639 5001	PCB - FCU - US	1
1	A194 5570	IC - VIF	1
2	A194 5692	Noise Filter - ACF321825-220	1
3	A194 5780	IC - ECO - CNT	1
4	H511 7110	IC - R144EFXIL-PQFP (Modem)	1
5	H515 7100	IC - LSI - SCP	1
6	H515 7103	HYBRID IC - FHIC1	1
7	H521 7155	IC - HIC-J&U2	1

Index No.	Part No.	Description	Q'ty Per Assembly
101	1102 4201	Connector - 2P	
102	1102 4202	Connector - 3P	
103	1102 4212	CT Header - 15P	
104	1102 4522	Connector - 20P	
105	1102 4619	Connector - 2P	
106	1102 5301	Connector - 2P	
107	1102 7466	Connector - IL-FHR-50S HF	
108	1102 7534	Connector - IL-FHR-40S-HF	
109	1102 7538	Connector - FCN-565R 088-G/C34	
110	1102 7543	Connector - IC6-136PF-DSL-EJA-G	
111	1107 0592	Fuse - P1 - 3A 125V	
112	1204 1266	Switch - SSSS2	
113	1204 2373	Switch - SKQDPA	
114	1206 0082	Lithium Cell - CR2450-HJ3	
115	1206 0084	Lithium Cell - VL 2330/1HF	
116	1400 0398	Transistor - 2SC2412K	
117	1400 0591	Transistor - DTC113ZK	
118	1400 0680	Transistor - 2SA1813	
119	1401 0972	Transistor - 2SB1260	
120	1402 0804	Silicon Diode - 45V 0.3A	
121	1402 1144	Diode Array - 1SS319	
122	1402 1221	Diode	
123	1402 1269	Diode - 1SS353	
124	1402 1281	Diode - 1SS321	
125	1402 1342	Diode - 1SR154-400	
126	1402 1343	Diode - RB160L-40	
127	1402 1345	Diode - VDZ3.6B	
128	1407 1925	IC - SN15189ANS	
129	1407 1926	IC - SN75188NS	
130	1407 2945	Voltage Detector - RH5VA43AX	
131	1407 3202	CMOSIC - TC74HC00AF	
132	1407 3952	IC - ANALOG SW- 4053	
133	1407 4108	Reset IC - BH9751F	
134	1408 0461	IC - NJM4558M	
135	1408 1059	Voltage Regulator - RH5VL43CC	

Index No.	Part No.	Description	Q'ty Per Assembly
136	1408 1191	DC/DC Converter - RH5RI501B	
137	1503 0069	Oscillator - 8.00 MHZ	
138	1503 0460	Oscillator - 32.768KHZ	
139	1503 0551	Oscillator - 38.00053MHZ	
140	1503 0724	Clistal Oscillator - 42.20545MHZ	
141	1601 1413	Resistor - RCB8C330J	
142	1601 4021	Resistor - RCE9A103J	
143	1601 7752	Resistor Array - 10K $\Omega$ $\pm$ 5%	
144	1601 7760	Resistor Array	
145	1604 1953	Capacitor - 10 $\mu$ F 16V $\pm$ 20%	
146	1604 4354	Capacitor - 3.3 $\mu$ F	
147	1605 0838	Capacitor - 200PF $\pm$ 5% 50V	
148	1605 0853	Connector - 1 $\mu$ F +80/20% 16V	
149	1605 0860	Capacitor - 0.068 $\mu$ F $\pm$ 10% 50V	
150	1607 0280	Inductor - BLM41	
151	1607 0805	Inductor - BLM21A601SPB	
152	1607 0821	Coil - ELD10E221	
153	1610 1251	Resistor - 47.5 $\Omega$	
154	1610 1257	Resistor - 86.6K $\Omega$	
155	1610 1275	Resistor - 124K $\Omega$	
156	1630 4101	Resistor - 100 $\Omega$ $\pm$ 5% 1/16W	
157	1630 4102	Resistor - 1.0K $\Omega$ $\pm$ 5% 1/16W	
158	1630 4103	Resistor - 10K $\Omega$ $\pm$ 5% 1/16W	
159	1630 4104	Resistor - 100 $\Omega$ $\pm$ 5% 1/16W	
160	1630 4105	Resistor - 1.0M $\Omega$ $\pm$ 5% 1/16W	
161	1630 4203	Resistor - 20K $\Omega$ $\pm$ 5% 1/16W	
162	1630 4204	Resistor - 200K $\Omega$ $\pm$ 5%	
163	1630 4223	Resistor - 22K $\Omega$ $\pm$ 5% 1/16W	
164	1630 4273	Resistor - 27K $\Omega$ $\pm$ 5% 1//16W	
165	1630 4302	Resistor - 3.0K $\Omega$ $\pm$ 5% 1/16W	
166	1630 4303	Resistor - 3.0K $\Omega$ $\pm$ 5% 1/16W	
167	1630 4330	Resistor - 33 $\Omega$ $\pm$ 5% 1/8W	
168	1630 4332	Resistor - 3.3K $\Omega$ $\pm$ 5% 1/16W	
169	1630 4470	Resistor - 470 $\Omega$ $\pm$ 5% 1/16W	

Index No.	Part No.	Description	Q'ty Per Assembly
170	1630 4472	Resistor - 4.7K $\Omega$ $\pm$ 5% 1/16W	
171	1630 4562	Resistor - 5.6K $\Omega$ $\pm$ 5% 1/16W	
172	1630 4823	Resistor - 82K $\Omega$ $\pm$ 5% 1/16W	
173	1633 2009	Resistor - 20 $\Omega$ $\pm$ 1% 1/10W	
174	1633 2200	Resistor - 220 $\Omega$ $\pm$ 1% 1/10W	
175	1634 0000	Resistor - 0 $\Omega$ - 1/16W	
176	1634 1403	Resistor - 140K $\Omega$ $\pm$ 1% 1/16W	
177	1634 2490	Resistor - 249 $\Omega$ $\pm$ 1% 1/16W	
178	1634 6202	Resistor - 62.0K $\Omega$ $\pm$ 1% 1/16W	
179	1640 2221	Capacitor - 220 $\mu$ F $\pm$ 20% 25V	
180	1642 0221	Capacitor - 220 $\mu$ F $\pm$ 20% 10V	
181	1642 1220	Capacitor - 22 $\mu$ F $\pm$ 20% 10V	
182	1643 1470	Capacitor - 10 $\mu$ F $\pm$ 20% 50V	
183	1643 6101	Capacitor - 100 $\mu$ F $\pm$ 20% 6.3V	
184	1660 0100	Capacitor - 10PF $\pm$ 0.5PF 50V	
185	1660 2330	Capacitor - 33PF $\pm$ 5% 50V	
186	1660 2471	Capacitor - 470PF $\pm$ 5% 50V	
187	1660 4102	Capacitor - 1000PF $\pm$ 10% 50V	
188	1660 6103	Capacitor - 10000PF +80-20% 50V	
189	1660 7104	Capacitor - 100000PF 50V	
190	1660 8104	Capacitor - 0.1 $\mu$ F +80-20% 25V	
191	1901 0022	IC - DRAM - 4M - 256x16 - 70NS	
192	1902 0021	IC - SRAM - 1M - X8 - 100NS/G4	
193	1903 0016	DRAM 16M 1Mx16 70NX G1	
194	1906 0003	IC - 16M X8/16 70NS	

## 6. FCU Board Europe/France (A639)

### AR

SYMBOL NO.	INDEX NO.
AR1	145
AR2	145
AR3	145
AR4	145
AR5	145
AR6	145
AR7	145
AR8	145
AR9	145
AR10	145

SYMBOL NO.	INDEX NO.
AR11	145
AR12	145
AR13	145
AR15	144
AR16	144
AR17	145
AR18	145
AR19	145
AR20	145
AR21	145

SYMBOL NO.	INDEX NO.
AR22	143
AR27	145
AR28	145
AR29	145
AR30	145
AR31	143
AR32	143
AR33	143
AR34	143
AR35	143

SYMBOL NO.	INDEX NO.
AR36	143
AR37	145
AR38	144
AR39	144
AR40	145
AR41	145
AR42	145
AR43	145
AR44	145
AR45	142

### BAT

SYMBOL NO.	INDEX NO.
BAT1	115
BAT2	114

### CAPACITOR

SYMBOL NO.	INDEX NO.
C1	183
C2	146
C3	186
C4	182
C5	185
C6	184
C9	183
C11	191
C12	191
C13	191

SYMBOL NO.	INDEX NO.
C14	152
C15	149
C16	193
C17	192
C18	192
C19	193
C20	192
C21	193
C22	192
C23	193

### CAPACITOR

SYMBOL NO.	INDEX NO.
C24	193
C25	193
C26	190
C27	193
C28	193
C30	148
C31	193
C32	193
C33	193
C34	192

SYMBOL NO.	INDEX NO.
C35	192
C36	193
C37	193
C39	190
C40	151
C41	189
C42	151
C44	193
C45	150
C46	193

SYMBOL NO.	INDEX NO.
C47	193
C49	150
C51	193
C52	193
C53	193
C54	193
C56	193
C57	193
C58	193
C60	193

SYMBOL NO.	INDEX NO.
C61	187
C62	193
C63	187
C65	191
C66	193
C67	193
C68	193
C69	193
C70	193
C71	193

SYMBOL NO.	INDEX NO.
C72	193
C73	188
C74	188
C76	193
C77	193
C78	151
C79	193
C80	193
C81	193
C82	193

SYMBOL NO.	INDEX NO.
C83	151
C84	193
C89	147
C90	190
C91	191
C92	191
C97	193
C98	190

### CONNECTOR

SYMBOL NO.	INDEX NO.
CN500	107
CN501	108
CN502	111
CN503	110
CN504	104
CN505	109
CN506	105
CN507	103
CN508	101
CN511	102
CN513	105

**DA**

SYMBOL NO.	INDEX NO.
DA1	121
DA2	124

**DIODE**

SYMBOL NO.	INDEX NO.
D1	125
D2	120
D3	126
D4	123
D5	123
D7	123
D8	123
D9	123
D10	122
D11	122

SYMBOL NO.	INDEX NO.
D12	122
D13	122
D14	122
D15	123
D16	123
D17	123
D19	122
D20	123
D22	120
D23	122

**FILTER**

SYMBOL NO.	INDEX NO.
FIL1	2
FIL2	2
FIL3	2

**HIC**

SYMBOL NO.	INDEX NO.
HIC2	6
HIC3	7

**IC**

SYMBOL NO.	INDEX NO.
IC1	197
IC2	3
IC3	5
IC4	195
IC6	194
IC7	1
IC8	196
IC9	4
IC12	134
IC13	132

SYMBOL NO.	INDEX NO.
IC14	132
IC16	128
IC19	136
IC20	135
IC22	130
IC23	133
IC25	131

**L**

SYMBOL NO.	INDEX NO.
L1	155
L2	156
L4	154
L5	153

**Q**

SYMBOL NO.	INDEX NO.
Q1	119
Q2	117
Q3	117
Q4	117
Q5	116
Q6	116
Q8	118
Q9	116

**RESISTOR**

SYMBOL NO.	INDEX NO.
R1	166
R2	166
R3	172
R4	171
R5	171
R6	161
R8	181
R9	169
R10	158
R11	163

SYMBOL NO.	INDEX NO.
R13	163
R14	198
R17	158
R19	157
R20	174
R21	174
R22	174
R24	174
R25	174
R26	174

SYMBOL NO.	INDEX NO.
R28	174
R29	160
R30	174
R31	174
R32	174
R38	160
R39	160
R40	160
R41	160
R42	160

SYMBOL NO.	INDEX NO.
R43	160
R44	160
R45	160
R46	160
R47	160
R48	160
R49	160
R50	162
R51	162
R52	162

SYMBOL NO.	INDEX NO.
R53	162
R54	162
R55	162
R56	162
R57	161
R58	160
R60	160
R61	160
R62	160
R64	174

## 6. FCU Board Europe/France (A639)

### RESISTOR

SYMBOL NO.	INDEX NO.	SYMBOL NO.	INDEX NO.	SYMBOL NO.	INDEX NO.	SYMBOL NO.	INDEX NO.	SYMBOL NO.	INDEX NO.	SYMBOL NO.	INDEX NO.	SYMBOL NO.	INDEX NO.
R65	161	R79	162	R106	162	R116	162	R131	171	R142	162	R152	162
R66	161	R80	162	R107	162	R117	162	R132	171	R143	162	R153	162
R67	161	R81	162	R108	162	R119	162	R133	171	R144	162	R154	170
R68	161	R82	160	R109	160	R120	162	R134	171	R145	162	R155	170
R69	161	R83	163	R110	162	R125	160	R135	171	R146	162	R156	170
R70	161	R101	162	R111	160	R126	163	R136	162	R147	162	R157	170
R71	161	R102	162	R112	160	R127	162	R137	162	R148	162	R158	170
R74	160	R103	162	R113	160	R128	171	R138	162	R149	162	R159	171
R75	172	R104	162	R114	160	R129	171	R139	162	R150	162	R160	171
R76	162	R105	162	R115	162	R130	171	R140	162	R151	162	R161	171

### RESISTOR

SYMBOL NO.	INDEX NO.	SYMBOL NO.	INDEX NO.	SYMBOL NO.	INDEX NO.	SYMBOL NO.	INDEX NO.	SYMBOL NO.	INDEX NO.	SYMBOL NO.	INDEX NO.	SYMBOL NO.	INDEX NO.
R162	171	R172	170	R182	164	R192	163	R206	162	R229	170	R239	170
R163	171	R173	170	R183	168	R196	175	R212	162	R230	170	R240	162
R164	171	R174	161	R184	168	R198	178	R213	162	R231	170	R241	173
R165	171	R175	176	R185	168	R199	162	R214	162	R232	170	R242	170
R166	171	R176	164	R186	163	R200	169	R215	162	R233	170	R243	160
R167	171	R177	163	R187	163	R201	165	R216	162	R234	170	R244	174
R168	170	R178	163	R188	163	R202	163	R217	162	R235	170		
R169	170	R179	163	R189	161	R203	163	R222	162	R236	170		
R170	170	R180	160	R190	167	R204	161	R223	180	R237	171		
R171	170	R181	162	R191	167	R205	174	R226	162	R238	162		

**6. FCU Board Europe/France (A639)**

SW

SYMBOL NO.	INDEX NO.
SW1	112
SW2	113

XTL

SYMBOL NO.	INDEX NO.
XTL1	137
XTL2	141
XTL3	138
XTL4	139

ZD

SYMBOL NO.	INDEX NO.
ZD1	127

## 6. FCU Board Europe/France (A639)

Index No.	Part No.	Description	Q'ty Per Assembly
*	A639 5002	PCB - FCU - EUR	1
1	A194 5570	IC - VIF	1
2	A194 5692	Noise Filter - ACF321825-220	1
3	A194 5780	IC - ECO - CNT	1
4	H511 7110	IC - R144EFXIL-PQFP (Modem)	1
5	H515 7100	IC - LSI - SCP	1
6	H515 7106	IC - FHIC2	1
7	H521 7158	IC - HIC - E&A2	1

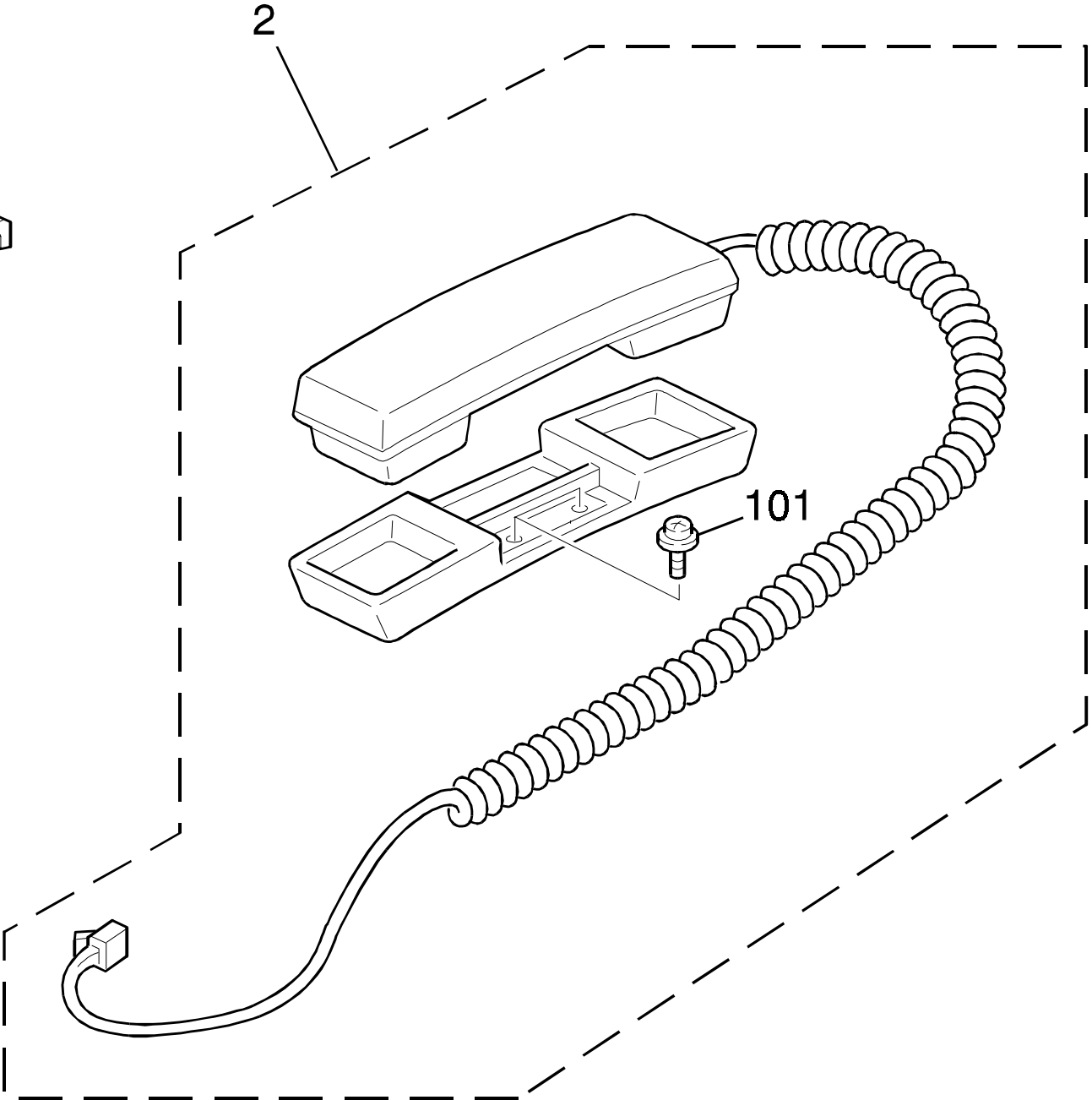
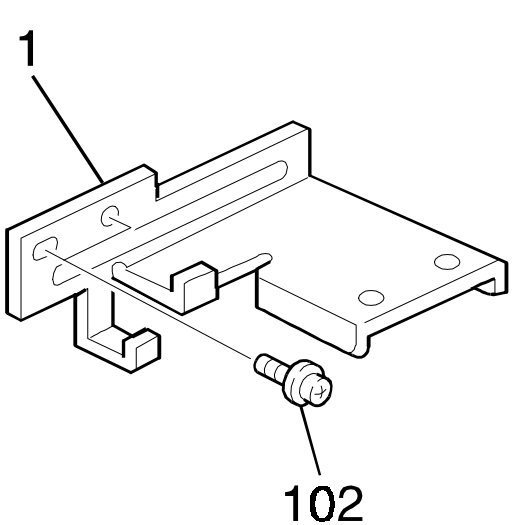
Index No.	Part No.	Description	Q'ty Per Assembly
101	1102 4201	Connector - 2P	
102	1102 4202	Connector - 3P	
103	1102 4204	CT Header - 5P	
104	1102 4212	CT Header - 15P	
105	1102 4522	Connector - 20P	
106	1102 4619	Connector - 2P	
107	1102 5301	Connector - 2P	
108	1102 7466	Connector - IL-FHR-50S HF	
109	1102 7534	Connector - IL-FHR-40S-HF	
110	1102 7538	Connector - FCN-565R 088-G/C34	
111	1102 7543	Connector - IC6-136PF-DSL-EJA-G	
112	1204 1266	Switch - SSSS2	
113	1204 2373	Switch - SKQDPA	
114	1206 0082	Lithium Cell - CR2450-HJ3	
115	1206 0084	Lithium Cell - VL 2330/1HF	
116	1400 0398	Transistor - 2SC2412K	
117	1400 0591	Transistor - DTC113ZK	
118	1400 0680	Transistor - 2SA1813	
119	1401 0972	Transistor - 2SB1260	
120	1402 0804	Silicon Diode - 45V 0.3A	
121	1402 1144	Diode Array - 1SS319	
122	1402 1221	Diode	
123	1402 1269	Diode - 1SS353	
124	1402 1281	Diode - 1SS321	
125	1402 1342	Diode - 1SR154-400	
126	1402 1343	Diode - RB160L-40	
127	1402 1345	Diode - VDZ3.6B	
128	1407 1925	IC - SN15189ANS	
129	1407 1926	IC - SN75188NS	
130	1407 2945	Voltage Detector - RH5VA43AX	
131	1407 3202	CMOSIC - TC74HC00AF	
132	1407 3952	IC - ANALOG SW- 4053	
133	1407 4108	Reset IC - BH9751F	
134	1408 0461	IC - NJM4558M	
135	1408 1059	Voltage Regulator - RH5VL43CC	

Index No.	Part No.	Description	Q'ty Per Assembly
136	1408 1191	DC/DC Converter - RH5RI501B	
137	1503 0069	Oscillator - 8.00 MHZ	
138	1503 0460	Oscillator - 32.768KHZ	
139	1503 0551	Oscillator - 38.00053MHZ	
140	1503 0630	Oscillator - CST 4.19MHZ	
141	1503 0724	Clistal Oscillator - 42.20545MHZ	
142	1601 1413	Resistor - RCB8C330J	
143	1601 4021	Resistor - RCE9A103J	
144	1601 7752	Resistor Array - 10K $\Omega$ $\pm$ 5%	
145	1601 7760	Resistor Array	
146	1604 1953	Capacitor - 10 $\mu$ F 16V $\pm$ 20%	
147	1604 4354	Capacitor - 3.3 $\mu$ F	
148	1605 0703	Capacitor - 0.5 $\mu$ F 10% 50V	
149	1605 0836	Capacitor - 0.12 $\mu$ F 25V $\pm$ -10%	
150	1605 0838	Capacitor - 200PF $\pm$ 5% 50V	
151	1605 0853	Connector - 1 $\mu$ F +80/20% 16V	
152	1605 0918	Capacitor - 0.18 $\mu$ F $\pm$ 10% 25V	
153	1607 0280	Inductor - BLM41	
154	1607 0805	Inductor - BLM21A601SPB	
155	1607 0821	Coil - ELD10E221	
156	1607 0893	Coil - R622LY-102K	
157	1610 1251	Resistor - 47.5 $\Omega$	
158	1610 1257	Resistor - 86.6K $\Omega$	
159	1610 1275	Resistor - 124K $\Omega$	
160	1630 4101	Resistor - 100 $\Omega$ $\pm$ 5% 1/16W	
161	1630 4102	Resistor - 1.0K $\Omega$ $\pm$ 5% 1/16W	
162	1630 4103	Resistor - 10K $\Omega$ $\pm$ 5% 1/16W	
163	1630 4104	Resistor - 100 $\Omega$ $\pm$ 5% 1/16W	
164	1630 4105	Resistor - 1.0M $\Omega$ $\pm$ 5% 1/16W	
165	1630 4203	Resistor - 20K $\Omega$ $\pm$ 5% 1/16W	
166	1630 4204	Resistor - 200K $\Omega$ $\pm$ 5%	
167	1630 4223	Resistor - 22K $\Omega$ $\pm$ 5% 1/16W	
168	1630 4273	Resistor - 27K $\Omega$ $\pm$ 5% 1//16W	
169	1630 4302	Resistor - 3.0K $\Omega$ $\pm$ 5% 1/16W	

Index No.	Part No.	Description	Q'ty Per Assembly
170	1630 4330	Resistor - 33 $\Omega$ $\pm$ 5% 1/8W	
171	1630 4332	Resistor - 3.3K $\Omega$ $\pm$ 5% 1/16W	
172	1630 4394	Resistor - 390K $\Omega$ $\pm$ 5% 1/16W	
173	1630 4470	Resistor - 470 $\Omega$ $\pm$ 5% 1/16W	
174	1630 4472	Resistor - 4.7K $\Omega$ $\pm$ 5% 1/16W	
175	1630 4562	Resistor - 5.6K $\Omega$ $\pm$ 5% 1/16W	
176	1630 4823	Resistor - 82K $\Omega$ $\pm$ 5% 1/16W	
177	1633 2009	Resistor - 20 $\Omega$ $\pm$ 1% 1/10W	
178	1633 2200	Resistor - 220 $\Omega$ $\pm$ 1% 1/10W	
179	1634 0000	Resistor - 0 $\Omega$ - 1/16W	
180	1634 3900	Resistor - 390 $\Omega$ $\pm$ 1% 1/16W	
181	1634 6202	Resistor - 62.0K $\Omega$ $\pm$ 1% 1/16W	
182	1640 2221	Capacitor - 220 $\mu$ F $\pm$ 20% 25V	
183	1642 0221	Capacitor - 220 $\mu$ F $\pm$ 20% 10V	
184	1642 1220	Capacitor - 22 $\mu$ F $\pm$ 20% 10V	
185	1643 1470	Capacitor - 10 $\mu$ F $\pm$ 20% 50V	
186	1643 6101	Capacitor - 100 $\mu$ F $\pm$ 20% 6.3V	
187	1660 2120	Capacitor - 12PF $\pm$ 5% 50V	
188	1660 2330	Capacitor - 33PF $\pm$ 5% 50V	
189	1660 2471	Capacitor - 470PF $\pm$ 5% 50V	
190	1660 4102	Capacitor - 1000PF $\pm$ 10% 50V	
191	1660 6103	Capacitor - 10000PF +80-20% 50V	
192	1660 7104	Capacitor - 100000PF 50V	
193	1660 8104	Capacitor - 0.1 $\mu$ F +80-20% 25V	
194	1901 0022	IC - DRAM - 4M - 256x16 - 70NS	
195	1902 0021	IC - SRAM - 1M - X8 - 100NS/G4	
196	1903 0016	DRAM 16M 1Mx16 70NX G1	
197	1906 0003	IC - 16M X8/16 70NS	



8. Handset (A639)

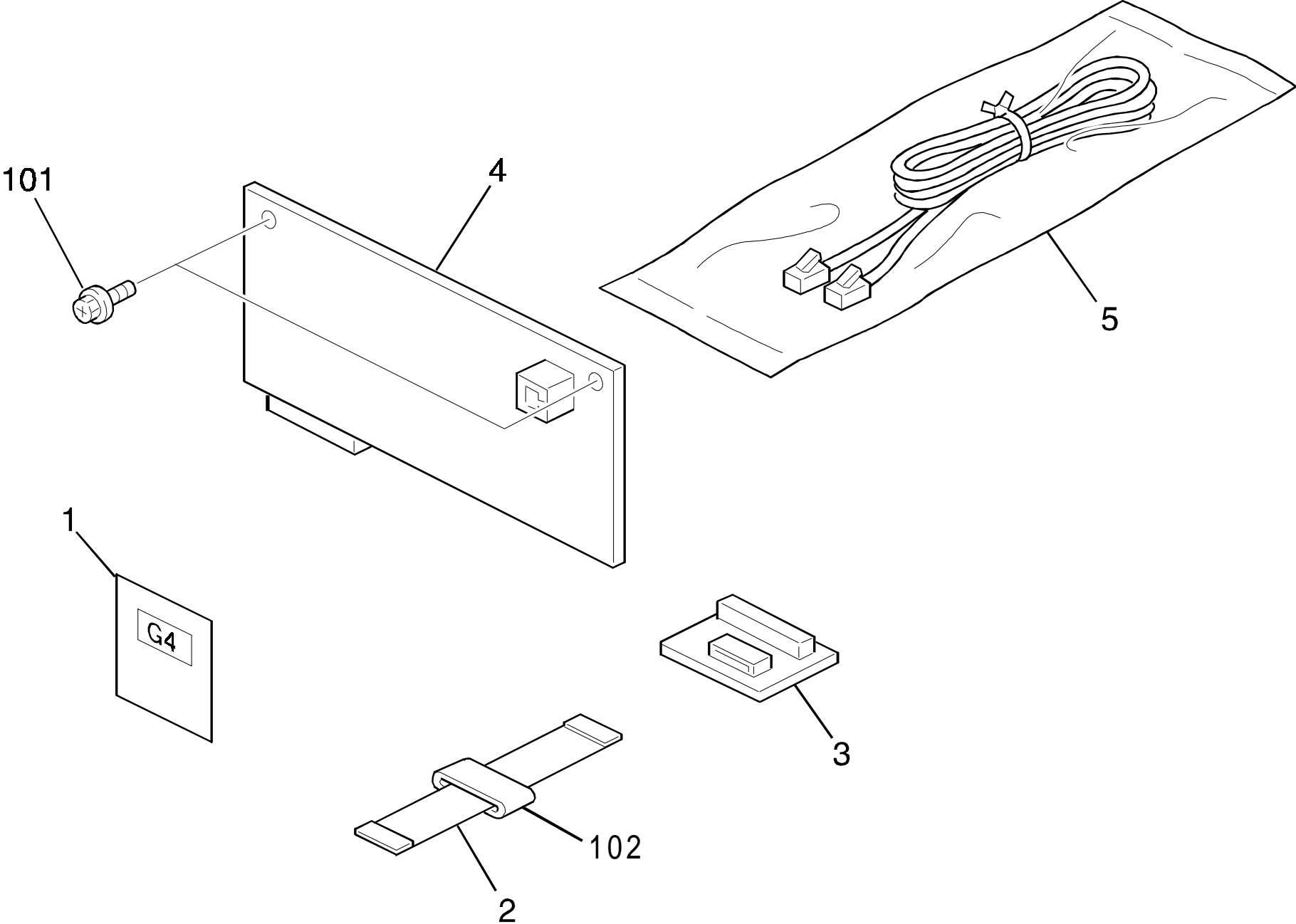


**8. Handset (A639)**

Index No.	Part No.	Description	Q'ty Per Assembly
1	A194 5821	Handset Bracket (US)	1
2	H516 4106	Handset (US)	1

Index No.	Part No.	Description	Q'ty Per Assembly
101	0353 0080B	Screw - M3x8	
102	0353 0140Z	Screw - M3x14	

9. ISDN Unit Type 200 (A644)

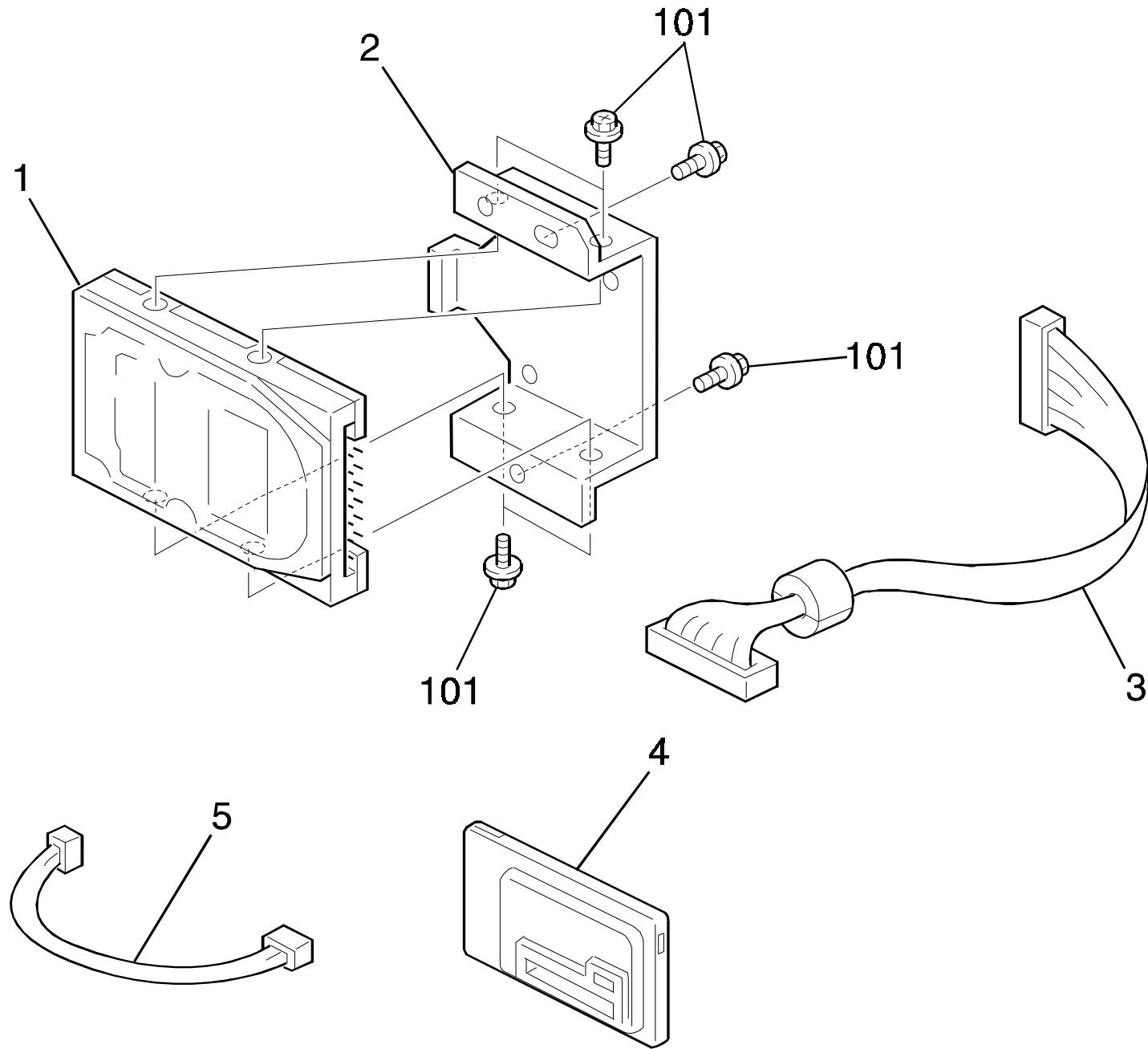


## 9. ISDN Unit Type 200 (A644)

Index No.	Part No.	Description	Q'ty Per Assembly
1	A644 1400	Function Seal	1
2	A194 5285	Harness - G4IF/FCU (US)	1
2	A194 5289	Harness - G4IF/FCU (EUR)	1
3	A194 5165	PCB - G4IF	1
4	H082 6034	ISDN Board - 115V	1
4	H082 6035	ISDN Board - 230V	1
5	H302 5700	ISDN Cable	1

Index No.	Part No.	Description	Q'ty Per Assembly
101	0451 3006B	Tapping Screw - M3x6	
102	1607 0651	Ferrite Core	

# 10. Fax Hard Disk Type 200 (A641)

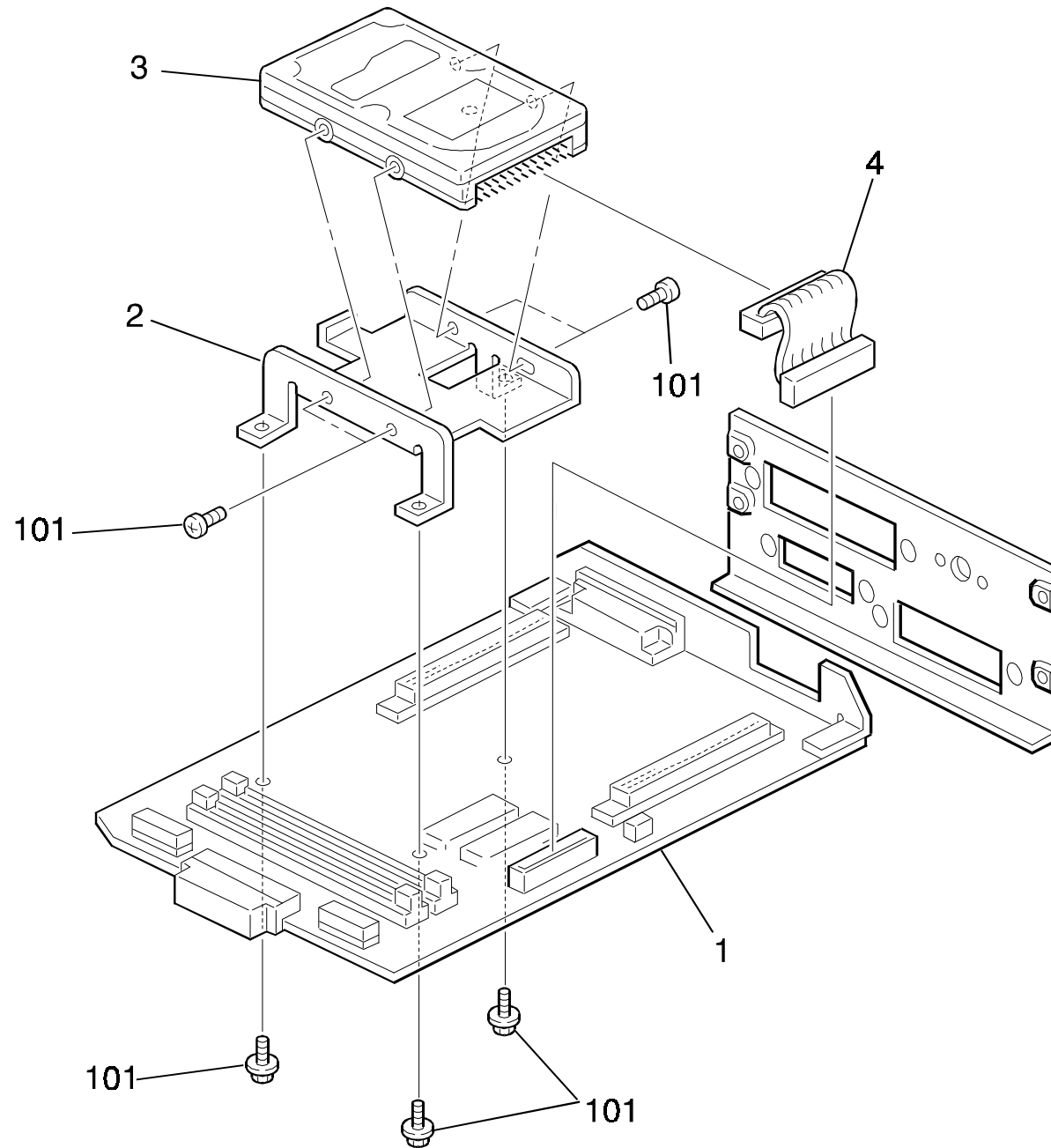


### 10. Fax Hard Disk Type 200 (A641)

Index No.	Part No.	Description	Q'ty Per Assembly
1	G690 5723	HDD - MK1924FCV	1
2	A194 5817	Bracket - HDD	1
3	A194 5286	Harness - HDD - 44P	1
4	H515 5202	HD I/F Card	1
5	A194 5287	Harness - HDD - 4P	1

Index No.	Part No.	Description	Q'ty Per Assembly
101	0451 3006B	Tapping Screw - M3x6	

## 11. Printer Control Unit/HDD Unit(A643)



### 11. Printer Control Unit/HDD Unit(A643)

Index No.	Part No.	Description	Q'ty Per Assembly
1	A643 5110	Printer Control Board	1
2	A193 5840	HDD Bracket	1
3	G690 5723	HDD - MK1924FCV	1
4	A643 5286	Harness - HDD	1



Index No.	Part No.	Description	Q'ty Per Assembly
101	0451 3006B	Tapping Screw - M3x6	





# **PARTS INDEX**

Part No.	Description	Page and Index No.
A639 0051	Key Switch Ass'y - 2 - Fax	3- 16
A639 0156	Key SW Aass'y - 1-Fax US/ASIA	3- 17
A639 0157	Key SW Ass'y - 1-Fax : EUR	3- 17
A639 1351	Cover - NCU	3- 20
A639 1427	Decal - Function (US/ASIA)	3- 23
A639 1427	Decal : Function (ASIA)	3- 26
A639 1487	Cover - Fax Keys - Right - EUR/ASIA	3- 15
A639 1492	Decal - Upper Cover - FAX	3- 27
A639 1493	Decal - Copy/Fax	3- 11
A639 1497	Cover - Fax Keys - Right (US)	3- 15
A639 5001	PCB - FCU - US	3- 5
A639 5001	PCB - FCU - US	13- *
A639 5002	PCB - FCU - EUR	3- 5
A639 5002	PCB - FCU - EUR	17- *
A639 5003	PCB - FCU - France	3- 5
A639 8607	Operating Instructions (US)	3- 28
A639 8608	Operating Instructions (ASIA)	3- 28
A639 8637	Operating Instructions (LANIER US)	3- 28
A639 8650	Operating Instructions (SVN)	3- 28
A639 8697	Operating Instructions (NRG)	3- 28

Part No.	Description	Page and Index No
G690 5723	HDD - MK1924FCV	23- 1
G690 5723	HDD - MK1924FCV	25- 3
H082 6034	ISDN Board - 115V	21- 4
H082 6035	ISDN Board - 230V	21- 4
H302 5700	ISDN Cable	21- 5
H502 5012	Relay - M12612-240SR	5- 1
H504 4901	Cap - Telephone Socket (EUR)	3- 19
H504 7146	HIC - 220/240V	7- 1
H504 7601	Transfenier	7- 2
H504 7601	Transfenier	9- 1
H511 7110	IC - R144EFXIL-PQFP (Modem)	13- 4
H511 7110	IC - R144EFXIL-PQFP (Modem)	17- 4
H515 5202	HD I/F Card	23- 4
H515 7100	IC - LSI - SCP	13- 5
H515 7100	IC - LSI - SCP	17- 5
H515 7103	HYBRID IC - FHIC1	13- 6
H515 7106	IC - FHIC2	17- 6
H516 4106	Handset (US)	19- 2
H521 7147	Transformer : H5217147	5- 2
H521 7155	IC - HIC-J&U2	13- 7
H521 7158	IC - HIC - E&A2	17- 7

Part No.	Description	Page and Index No.
A038 5851	Monitor Speaker Bracket	3- 9
A102 5461	Speaker - S05J01A	3- 8
A193 5840	HDD Bracket	25- 2
A194 1494	Decal - Quick Dial Labels (US/ASIA)	3- 25
A194 1495	Fax Keys - Right	3- 14
A194 1496	Keytop - Copy/Fax	3- 10
A194 5004	PCB - FCU - TWN	3- 5
A194 5165	PCB - G4IF	21- 3
A194 5280	Harness - FCU-NCU1	3- 1
A194 5281	Harness - BICU-FCU	3- 4
A194 5282	Harness - PSU-FCU	3- 3
A194 5285	Harness - G4IF/FCU (US)	21- 2
A194 5286	Harness - HDD - 44P	23- 3
A194 5287	Harness - HDD - 4P	23- 5
A194 5289	Harness - G4IF/FCU (EUR)	21- 2
A194 5570	IC - VIF	13- 1
A194 5570	IC - VIF	17- 1
A194 5692	Noise Filter - ACF321825-220	13- 2
A194 5692	Noise Filter - ACF321825-220	17- 2
A194 5780	IC - ECO - CNT	13- 3
A194 5780	IC - ECO - CNT	17- 3
A194 5811	Bracket - Fax	3- 7
A194 5815	Bracket - Cover - Rear - Left (US)	3- 6
A194 5816	Guard - NCU	3- 18
A194 5817	Bracket - HDD	23- 2
A194 5818	Grounding PlaTe : FAX	3- 21
A194 5819	Shielding Cover (EUR/ASIA)	3- 6
A194 5821	Handset Bracket (US)	19- 1
A194 5823	Grounding PlaTe : FAX : BICU	3- 22
A194 5824	Ground Plate (EUR)	3- 24
A196 1496	Keytop - Copy/Fax/Prn	3- 12
A643 5110	Printer Control Board	25- 1
A643 5286	Harness - HDD	25- 4
A644 1400	Function Seal	21- 1
A693 1500	Decal - Copy/Fax/Prn	3- 13

Part No.	Description	Page and Index No
5488 6030	PCB - NCU - US (HU-1T)	3- 2
5488 6030	PCB - NCU - US (HU-1T)	5- 0
5488 6050	PCB - NCU - EUR (HE-1T)	3- 2
5488 6050	PCB - NCU - EUR (HE-1T)	7- 0
5488 6070	PCB - NCU - France (HF-1T)	3- 2
5488 6070	PCB - NCU - France (HF-1T)	9- 0

Part No.	Description	Page and Index No.
0353 0080B	Screw - M3x8	19-101
0353 0140Z	Screw - M3x14	19-102
0451 3006B	Tapping Screw - M3x6	3-103
0451 3006B	Tapping Screw - M3x6	21-101
0451 3006B	Tapping Screw - M3x6	23-101
0451 3006B	Tapping Screw - M3x6	25-101
1102 3127	Receptacle - 2P	7-101
1102 4201	Connector - 2P	13-101
1102 4201	Connector - 2P	17-101
1102 4202	Connector - 3P	13-102
1102 4202	Connector - 3P	17-102
1102 4204	CT Header - 5P	7-102
1102 4204	CT Header - 5P	9-101
1102 4204	CT Header - 5P	17-103
1102 4212	CT Header - 15P	5-101
1102 4212	CT Header - 15P	7-103
1102 4212	CT Header - 15P	9-102
1102 4212	CT Header - 15P	13-103
1102 4212	CT Header - 15P	17-104
1102 4522	Connector - 20P	13-104
1102 4522	Connector - 20P	17-105
1102 4619	Connector - 2P	13-105
1102 4619	Connector - 2P	17-106
1102 5301	Connector - 2P	13-106
1102 5301	Connector - 2P	17-107
1102 5532	Header - 2P	7-104
1102 6415	Modular Cord - 6-6P	5-102
1102 6415	Modular Cord - 6-6P	7-105
1102 6415	Modular Cord - 6-6P	9-103
1102 7466	Connector - IL-FHR-50S HF	13-107
1102 7466	Connector - IL-FHR-50S HF	17-108
1102 7534	Connector - IL-FHR-40S-HF	13-108
1102 7534	Connector - IL-FHR-40S-HF	17-109
1102 7538	Connector - FCN-565R 088-G/C34	13-109
1102 7538	Connector - FCN-565R 088-G/C34	17-110

Part No.	Description	Page and Index No
1102 7543	Connector - IC6-136PF-DSL-EJA-G	13-110
1102 7543	Connector - IC6-136PF-DSL-EJA-G	17-111
1105 0240	Spacer	3-102
1105 0461	Tapping Support - KGTS-18T	3-101
1107 0592	Fuse - P1 - 3A 125V	13-111
1107 0605	Fuse - 250V 1A	9-104
1204 1266	Switch - SSSS2	13-112
1204 1266	Switch - SSSS2	17-112
1204 2373	Switch - SKQDPA	13-113
1204 2373	Switch - SKQDPA	17-113
1206 0082	Lithium Cell - CR2450-HJ3	13-114
1206 0082	Lithium Cell - CR2450-HJ3	17-114
1206 0084	Lithium Cell - VL 2330/1HF	13-115
1206 0084	Lithium Cell - VL 2330/1HF	17-115
1208 1364	Relay - JZ1AF-24V	7-106
1208 1400	Relay - BA-24WD-K	7-107
1208 1400	Relay - BA-24WD-K	9-105
1400 0358	Transistor - 2SA950-0	9-106
1400 0398	Transistor - 2SC2412K	7-108
1400 0398	Transistor - 2SC2412K	9-107
1400 0398	Transistor - 2SC2412K	13-116
1400 0398	Transistor - 2SC2412K	17-116
1400 0576	Transistor - 2SC3621	7-109
1400 0576	Transistor - 2SC3621	9-108
1400 0577	Transistor - 2SA1320	7-110
1400 0577	Transistor - 2SA1320	9-109
1400 0591	Transistor - DTC113ZK	13-117
1400 0591	Transistor - DTC113ZK	17-117
1400 0655	Transformer : DTC143XSA	5-103
1400 0680	Transistor - 2SA1813	13-118
1400 0680	Transistor - 2SA1813	17-118
1401 0821	Diode - 1SS133	5-104
1401 0972	Transistor - 2SB1260	13-119
1401 0972	Transistor - 2SB1260	17-119
1402 0605	Diode - HZ3BLL	7-111

Part No.	Description	Page and Index No.
1402 0804	Silicon Diode - 45V 0.3A	13-120
1402 0804	Silicon Diode - 45V 0.3A	17-120
1402 1144	Diode Array - 1SS319	13-121
1402 1144	Diode Array - 1SS319	17-121
1402 1221	Diode	13-122
1402 1221	Diode	17-122
1402 1224	Diode - MTZJ5.1A	5-105
1402 1251	Diode - DA118	7-112
1402 1251	Diode - DA118	9-110
1402 1269	Diode - 1SS353	13-123
1402 1269	Diode - 1SS353	17-123
1402 1281	Diode - 1SS321	13-124
1402 1281	Diode - 1SS321	17-124
1402 1333	Diode - VDZ5.1B	7-113
1402 1333	Diode - VDZ5.1B	9-111
1402 1334	Diode - VDZ2.0B	7-114
1402 1334	Diode - VDZ2.0B	9-112
1402 1342	Diode - 1SR154-400	13-125
1402 1342	Diode - 1SR154-400	17-125
1402 1343	Diode - RB160L-40	13-126
1402 1343	Diode - RB160L-40	17-126
1402 1345	Diode - VDZ3.6B	13-127
1402 1345	Diode - VDZ3.6B	17-127
1403 0503	Photo Coupler - PC817	5-106
1403 0512	IC - PC827	5-107
1403 0791	Photocoupler - PS2561-1-V	7-115
1403 0791	Photocoupler - PS2561-1-V	9-113
1403 0800	Photocoupler - PS2533-1-V	5-108
1403 0800	Photocoupler - PS2533-1-V	7-116
1403 0800	Photocoupler - PS2533-1-V	9-114
1404 0129	Varystor - VR - 63B	5-109
1404 0276	Varystor - TNR9G331K	5-110
1404 0283	Varystor - TNR9G341K	5-111
1404 0283	Varystor - TNR9G341K	7-117
1404 0283	Varystor - TNR9G341K	9-115

Part No.	Description	Page and Index No
1404 0310	Varystor - VR-62B	9-116
1404 0338	Varystor - TNR9G330K	5-112
1404 0342	Varystor - TNR9G121K	7-118
1404 0342	Varystor - TNR9G121K	9-117
1405 0130	Silicon Rectifier Stack - 1G4B42	5-113
1405 0130	Silicon Rectifier Stack - 1G4B42	7-119
1405 0180	Rectifier - OR5G4B42	7-120
1405 0180	Rectifier - OR5G4B42	9-118
1407 1925	IC - SN15189ANS	13-128
1407 1925	IC - SN15189ANS	17-128
1407 1926	IC - SN75188NS	13-129
1407 1926	IC - SN75188NS	17-129
1407 2945	Voltage Detector - RH5VA43AX	13-130
1407 2945	Voltage Detector - RH5VA43AX	17-130
1407 3202	CMOSIC - TC74HC00AF	13-131
1407 3202	CMOSIC - TC74HC00AF	17-131
1407 3952	IC - ANALOG SW- 4053	13-132
1407 3952	IC - ANALOG SW- 4053	17-132
1407 4108	Reset IC - BH9751F	13-133
1407 4108	Reset IC - BH9751F	17-133
1408 0461	IC - NJM4558M	13-134
1408 0461	IC - NJM4558M	17-134
1408 1059	Voltage Regulator - RH5VL43CC	13-135
1408 1059	Voltage Regulator - RH5VL43CC	17-135
1408 1191	DC/DC Converter - RH5RI501B	13-136
1408 1191	DC/DC Converter - RH5RI501B	17-136
1503 0069	Oscillator - 8.00 MHZ	13-137
1503 0069	Oscillator - 8.00 MHZ	17-137
1503 0460	Oscillator - 32.768KHZ	13-138
1503 0460	Oscillator - 32.768KHZ	17-138
1503 0551	Oscillator - 38.00053MHZ	13-139
1503 0551	Oscillator - 38.00053MHZ	17-139
1503 0630	Oscillator - CST 4.19MHZ	17-140
1503 0724	Clistal Oscillator - 42.20545MHZ	13-140
1503 0724	Clistal Oscillator - 42.20545MHZ	17-141

Part No.	Description	Page and Index No.
1600 0679	Resistor - 32 Ω 1W ±5%	7-121
1600 1153	Resistor - 2W 120 Ω	7-122
1600 1334	Resistor - 2W 220 Ω ±5%	5-114
1600 1550	Resistor - 82 Ω ±5% 1W	5-115
1600 1686	Resistor - 47 Ω ±5% 1W	7-123
1600 1686	Resistor - 47 Ω ±5% 1W	9-119
1600 1727	Resistor - 82K Ω ±5% 2W	9-120
1601 1413	Resistor - RCB8C330J	13-141
1601 1413	Resistor - RCB8C330J	17-142
1601 4021	Resistor - RCE9A103J	13-142
1601 4021	Resistor - RCE9A103J	17-143
1601 5241	Resistor - 180 Ω 1W	9-121
1601 5255	Resistor - 360 Ω 2W ±5%	9-122
1601 7752	Resistor Array - 10K Ω ±5%	13-143
1601 7752	Resistor Array - 10K Ω ±5%	17-144
1601 7760	Resistor Array	13-144
1601 7760	Resistor Array	17-145
1604 1953	Capacitor - 10μF 16V ±20%	13-145
1604 1953	Capacitor - 10μF 16V ±20%	17-146
1604 4301	Capacitor - 220μF ±20%	7-124
1604 4301	Capacitor - 220μF ±20%	9-123
1604 4354	Capacitor - 3.3μF	13-146
1604 4354	Capacitor - 3.3μF	17-147
1605 0703	Capacitor - 0.5μF 10% 50V	17-148
1605 0836	Capacitor - 0.12μF 25V ±-10%	17-149
1605 0838	Capacitor - 200PF ±5% 50V	13-147
1605 0838	Capacitor - 200PF ±5% 50V	17-150
1605 0853	Connector - 1μF +80/20% 16V	13-148
1605 0853	Connector - 1μF +80/20% 16V	17-151
1605 0860	Capacitor - 0.068μF ±10% 50V	13-149
1605 0918	Capacitor - 0.18μF ±10% 25V	17-152
1606 1336	Capacitor - 1000PF -20% +80% 50V	5-116
1606 1763	Capacitor - 0.47μF 400V	7-125
1606 1815	Capacitor - 0.68μF ±5%	7-126

Part No.	Description	Page and Index No
1606 1860	Capacitor - 0.47μF 250V	5-117
1606 1877	Capacitor - 0.027μF ±10%	7-127
1606 1925	Capacitor - 1μF ±10%	7-128
1606 1925	Capacitor - 1μF ±10%	9-124
1606 2026	Capacitor - 0.1μF ±10%	7-129
1607 0280	Inductor - BLM41	13-150
1607 0280	Inductor - BLM41	17-153
1607 0536	Fuse Core - EXCELDR35C	7-130
1607 0536	Fuse Core - EXCELDR35C	9-125
1607 0593	Coil - 33MH	7-131
1607 0651	Ferrite Core	21-102
1607 0755	Choke Coil : CM 08RB01	5-118
1607 0760	Coil - TLF9UB302W	7-132
1607 0760	Coil - TLF9UB302W	9-126
1607 0805	Inductor - BLM21A601SPB	13-151
1607 0805	Inductor - BLM21A601SPB	17-154
1607 0821	Coil - ELD10E221	13-152
1607 0821	Coil - ELD10E221	17-155
1607 0893	Coil - R622LY-102K	17-156
1610 1251	Resistor - 47.5 Ω	13-153
1610 1251	Resistor - 47.5 Ω	17-157
1610 1257	Resistor - 86.6K Ω	13-154
1610 1257	Resistor - 86.6K Ω	17-158
1610 1275	Resistor - 124K Ω	13-155
1610 1275	Resistor - 124K Ω	17-159
1610 1276	Resistor - 10K Ω ±5% 1/2W	7-133
1611 4330	Resistor - 330 Ω 1/4T ±5%	5-119
1611 4392	Resistor - 3.9K Ω 1/4T ±5%	5-120
1611 4473	Resistor - 47K Ω 1/4T ±5%	5-121
1611 4473	Resistor - 47K Ω 1/4T ±5%	7-134
1611 4820	Resistor - 82Ω 1/4T ±5%	5-122
1611 9182	Resistor - 1.8K Ω ±5% 1/2W	5-123
1611 9330	Resistor - 33 Ω ±5% 1/2W	5-124
1630 3100	Resistor - 10 Ω ±5% 1/10W	7-135

Part No.	Description	Page and Index No.
1630 3103	Resistor - 10K $\Omega$ 1/10W $\pm$ 5%	7-136
1630 3103	Resistor - 10K $\Omega$ 1/10W $\pm$ 5%	9-127
1630 3153	Resistor - 5K $\Omega$ $\pm$ 5% 1/10W	7-137
1630 3302	Resistor - 3K $\Omega$ 1/10W	9-128
1630 3330	Resistor - 33 $\Omega$ $\pm$ 5% 1/10W	9-129
1630 3391	Resistor - 390 $\Omega$ 1/10W $\pm$ 5%	9-130
1630 3471	Resistor - 470 $\Omega$ 1/10W	7-138
1630 3471	Resistor - 470 $\Omega$ 1/10W	9-131
1630 3472	Resistor - 4.7K $\Omega$ 1/10W $\pm$ 5%	7-139
1630 3473	Resistor - 47K $\Omega$ 1/10W $\pm$ 5%	7-140
1630 3473	Resistor - 47K $\Omega$ 1/10W $\pm$ 5%	9-132
1630 3562	Resistor - 5.6K $\Omega$ $\pm$ 5% 1/10W	7-141
1630 3562	Resistor - 5.6K $\Omega$ $\pm$ 5% 1/10W	9-133
1630 3822	Resistor - 8.2K $\Omega$ 1/10W $\pm$ 5%	7-142
1630 3822	Resistor - 8.2K $\Omega$ 1/10W $\pm$ 5%	9-134
1630 4101	Resistor - 100 $\Omega$ $\pm$ 5% 1/16W	13-156
1630 4101	Resistor - 100 $\Omega$ $\pm$ 5% 1/16W	17-160
1630 4102	Resistor - 1.0K $\Omega$ $\pm$ 5% 1/16W	13-157
1630 4102	Resistor - 1.0K $\Omega$ $\pm$ 5% 1/16W	17-161
1630 4103	Resistor - 10K $\Omega$ $\pm$ 5% 1/16W	13-158
1630 4103	Resistor - 10K $\Omega$ $\pm$ 5% 1/16W	17-162
1630 4104	Resistor - 100 $\Omega$ $\pm$ 5% 1/16W	13-159
1630 4104	Resistor - 100 $\Omega$ $\pm$ 5% 1/16W	17-163
1630 4105	Resistor - 1.0M $\Omega$ $\pm$ 5% 1/16W	13-160
1630 4105	Resistor - 1.0M $\Omega$ $\pm$ 5% 1/16W	17-164
1630 4203	Resistor - 20K $\Omega$ $\pm$ 5% 1/16W	13-161
1630 4203	Resistor - 20K $\Omega$ $\pm$ 5% 1/16W	17-165
1630 4204	Resistor - 200K $\Omega$ $\pm$ 5%	13-162
1630 4204	Resistor - 200K $\Omega$ $\pm$ 5%	17-166
1630 4223	Resistor - 22K $\Omega$ $\pm$ 5% 1/16W	13-163
1630 4223	Resistor - 22K $\Omega$ $\pm$ 5% 1/16W	17-167
1630 4273	Resistor - 27K $\Omega$ $\pm$ 5% 1//16W	13-164
1630 4273	Resistor - 27K $\Omega$ $\pm$ 5% 1//16W	17-168

Part No.	Description	Page and Index No
1630 4302	Resistor - 3.0K $\Omega$ $\pm$ 5% 1/16W	13-165
1630 4302	Resistor - 3.0K $\Omega$ $\pm$ 5% 1/16W	17-169
1630 4303	Resistor - 3.0K $\Omega$ $\pm$ 5% 1/16W	13-166
1630 4330	Resistor - 33 $\Omega$ $\pm$ 5% 1/8W	13-167
1630 4330	Resistor - 33 $\Omega$ $\pm$ 5% 1/8W	17-170
1630 4332	Resistor - 3.3K $\Omega$ $\pm$ 5% 1/16W	13-168
1630 4332	Resistor - 3.3K $\Omega$ $\pm$ 5% 1/16W	17-171
1630 4394	Resistor - 390K $\Omega$ $\pm$ 5% 1/16W	17-172
1630 4470	Resistor - 470 $\Omega$ $\pm$ 5% 1/16W	13-169
1630 4470	Resistor - 470 $\Omega$ $\pm$ 5% 1/16W	17-173
1630 4472	Resistor - 4.7K $\Omega$ $\pm$ 5% 1/16W	13-170
1630 4472	Resistor - 4.7K $\Omega$ $\pm$ 5% 1/16W	17-174
1630 4562	Resistor - 5.6K $\Omega$ $\pm$ 5% 1/16W	13-171
1630 4562	Resistor - 5.6K $\Omega$ $\pm$ 5% 1/16W	17-175
1630 4823	Resistor - 82K $\Omega$ $\pm$ 5% 1/16W	13-172
1630 4823	Resistor - 82K $\Omega$ $\pm$ 5% 1/16W	17-176
1633 0000	Resistor - 0 $\Omega$ 1/10W - Jamper Chip	7-143
1633 0000	Resistor - 0 $\Omega$ 1/10W - Jamper Chip	9-135
1633 1002	Resistor - 10K $\Omega$ $\pm$ 1% 1/10W	7-144
1633 1002	Resistor - 10K $\Omega$ $\pm$ 1% 1/10W	9-136
1633 2002	Resistor - 20K $\Omega$ $\pm$ 1% 1/10W	7-145
1633 2009	Resistor - 20 $\Omega$ $\pm$ 1% 1/10W	13-173
1633 2009	Resistor - 20 $\Omega$ $\pm$ 1% 1/10W	17-177
1633 2200	Resistor - 220 $\Omega$ $\pm$ 1% 1/10W	13-174
1633 2200	Resistor - 220 $\Omega$ $\pm$ 1% 1/10W	17-178
1633 2702	Resistor - 27K $\Omega$ $\pm$ 1% 1/10W	9-137
1634 0000	Resistor - 0 $\Omega$ - 1/16W	13-175
1634 0000	Resistor - 0 $\Omega$ - 1/16W	17-179
1634 1403	Resistor - 140K $\Omega$ $\pm$ 1% 1/16W	13-176
1634 2490	Resistor - 249 $\Omega$ $\pm$ 1% 1/16W	13-177
1634 3900	Resistor - 390 $\Omega$ $\pm$ 1% 1/16W	17-180
1634 6202	Resistor - 62.0K $\Omega$ $\pm$ 1% 1/16W	13-178
1634 6202	Resistor - 62.0K $\Omega$ $\pm$ 1% 1/16W	17-181

Part No.	Description	Page and Index No.
1640 2221	Capacitor - 220μF ±20% 25V	13-179
1640 2221	Capacitor - 220μF ±20% 25V	17-182
1640 3101	Capacitor - 100 μF ±20% 35V	5-125
1640 3101	Capacitor - 100 μF ±20% 35V	7-146
1642 0221	Capacitor - 220μF ±20% 10V	13-180
1642 0221	Capacitor - 220μF ±20% 10V	17-183
1642 1220	Capacitor - 22μF ±20% 10V	13-181
1642 1220	Capacitor - 22μF ±20% 10V	17-184
1643 1470	Capacitor - 10μF ±20% 50V	13-182
1643 1470	Capacitor - 10μF ±20% 50V	17-185
1643 5100	Capacitor - 10μF ±20% 50V	5-126
1643 5100	Capacitor - 10μF ±20% 50V	7-147
1643 5100	Capacitor - 10μF ±20% 50V	9-138
1643 5229	Capacitor - 2.2μF ±20% 50V	9-139
1643 5339	Capacitor - 3.3μF ±20% 50V	7-148
1643 5339	Capacitor - 3.3μF ±20% 50V	9-140
1643 6101	Capacitor - 100μF ±20% 6.3V	13-183
1643 6101	Capacitor - 100μF ±20% 6.3V	17-186
1660 0100	Capacitor - 10PF ±0.5PF 50V	13-184
1660 2120	Capacitor - 12PF ±5% 50V	17-187
1660 2330	Capacitor - 33PF ±5% 50V	13-185
1660 2330	Capacitor - 33PF ±5% 50V	17-188
1660 2471	Capacitor - 470PF ±5% 50V	13-186
1660 2471	Capacitor - 470PF ±5% 50V	17-189
1660 4102	Capacitor - 1000PF ±10% 50V	13-187
1660 4102	Capacitor - 1000PF ±10% 50V	17-190
1660 5102	Capacitor - 1000PF ±10% 50V	7-149
1660 5102	Capacitor - 1000PF ±10% 50V	9-141
1660 6103	Capacitor - 10000PF +80-20% 50V	13-188
1660 6103	Capacitor - 10000PF +80-20% 50V	17-191
1660 7103	Capacitor - 10000PF 50V	7-150
1660 7103	Capacitor - 10000PF 50V	9-142
1660 7104	Capacitor - 100000PF 50V	13-189

Part No.	Description	Page and Index No
1660 7104	Capacitor - 100000PF 50V	17-192
1660 8104	Capacitor - 0.1μF +80-20% 25V	13-190
1660 8104	Capacitor - 0.1μF +80-20% 25V	17-193
1901 0022	IC - DRAM - 4M - 256x16 - 70NS	13-191
1901 0022	IC - DRAM - 4M - 256x16 - 70NS	17-194
1902 0021	IC - SRAM - 1M - X8 - 100NS/G4	13-192
1902 0021	IC - SRAM - 1M - X8 - 100NS/G4	17-195
1903 0016	DRAM 16M 1Mx16 70NX G1	13-193
1903 0016	DRAM 16M 1Mx16 70NX G1	17-196
1906 0003	IC - 16M X8/16 70NS	13-194
1906 0003	IC - 16M X8/16 70NS	17-197